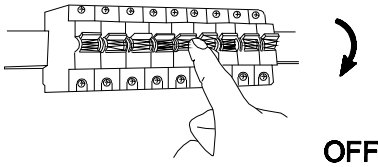


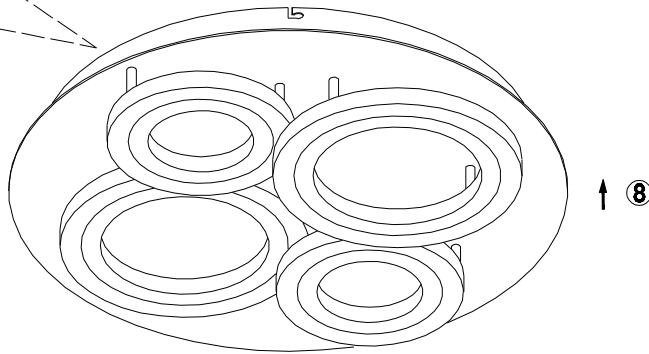
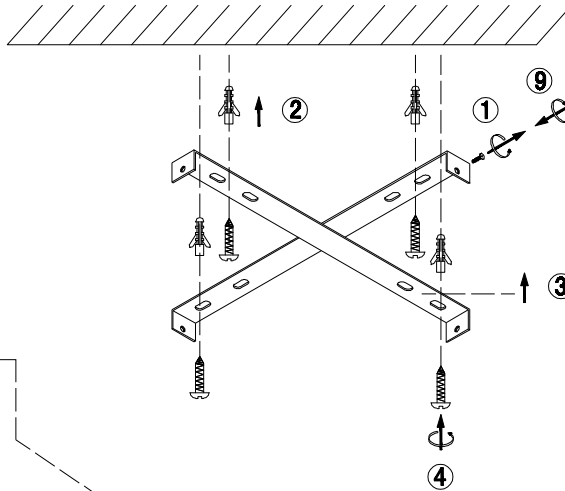
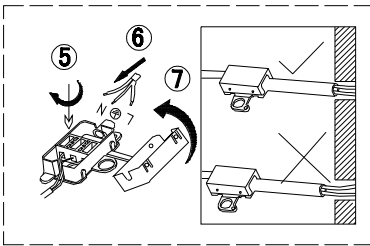
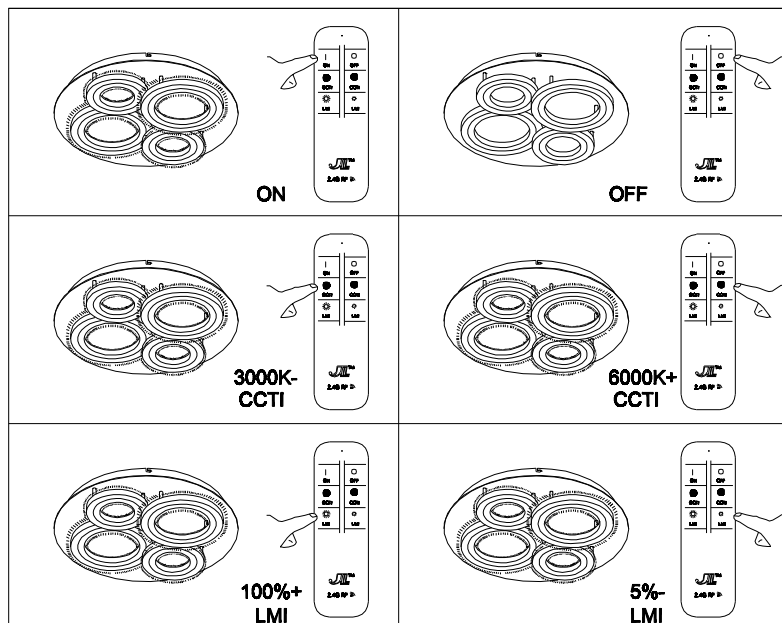
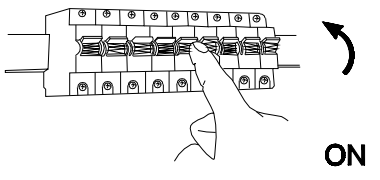
**A**

# G L O B O

LIGHTING

[WWW.globo-lighting.com](http://WWW.globo-lighting.com)

41913-36

**B****C**

**GLOBO Handels GmbH**  
**Gewerbestr. 3**  
**A-9184 Sankt Peter**